

PRODUCT CATALOGUE

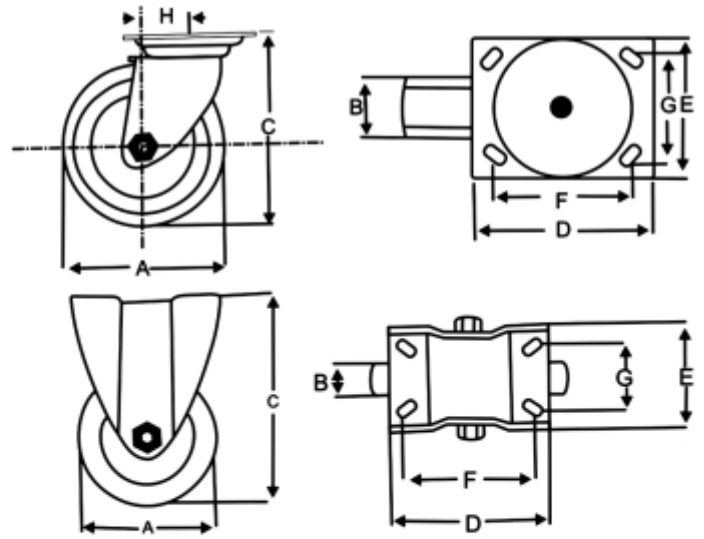
APEX
CASTOR & TROLLEY WHEEL



for the **SMARTER** *MOVE* ➤

C-100 Series

Medium duty powder coated pressed steel castor of double ball race swivel head secured with thick thread hex pin & covered with nylon dust seal. Two sealed ball bearings are used in the wheel in order to give forceless free movement to castor. Pillar & brake type castors are also available suitable for hotel & hospital furniture.



TECHNICAL SPECIFICATIONS

Wheel Diameter (A)	Wheel Width (B)	Overall Height (C)	Swivel Plate Size (D x E)	Swivel Hole Center (F x G)	Fixed Plate Size (D x E)	Fixed Hole Center (F x G)	Offset (H)	Plate Thickness	Wheel Block Thickness	Load Capacity
50	22	70	62x51	46x33	60x40	F-47	28	2.5	2	40-50
62	22	83	62x51	46x33	60x40	F-47	30	2.5	2	40-50
75	25	98	78x60	54x40	70x46	54x22	36	2.5	2	50-60
100	25	124	78x60	54x40	70x46	54x22	38	2.5	2	50-60
75	32	105	103x80	82x54	103x80	82x54	46	3.2	2.5	80-100
100	32	130	103x80	82x54	103x80	82x54	45	3.2	2.5	80-100
125	32	155	103x80	82x54	103x80	82x54	44	3.2	2.5	90-110
100	38	130	95x95	72x72	115x82	86x47	51	4	3.2	110-140
125	38	155	118x97	92x66	115x82	86x47	52	4	3.2	120-140
150	38	188	118x97	92x66	115x82	86x47	53	4	3.2	130-150
100	50	140	135x118	108x78	145x90	100x55	56	5	4	150-175
150	50	190	135x118	108x78	145x90	100x55	58	5	4	200-250
200	50	240	135x118	108x78	145x90	100x55	60	5	4	250-300

A. All dimensions in mm. B. The load capacity is for smooth surface of a maximum speed of 3 kmph.

C. Design & Specification subject to change without prior notice.

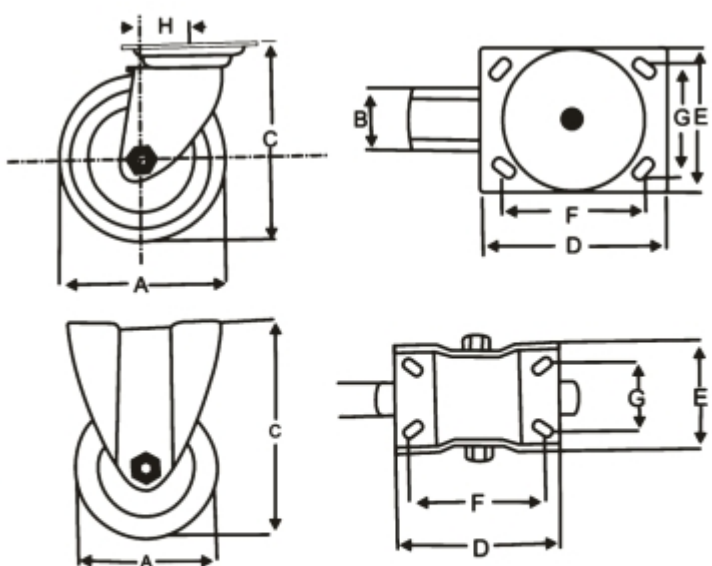


APEX
CASTOR & TROLLEY WHEEL



C-150 Series

Medium duty powder coated pressed steel castor. In this series thrust bearing is used at the top of the castor & taper roller bearing is used at the inner top of the wheel block in order to give free & reliable movement to castor. The wheel block & the plate both are fitted with EN-8 pin. Grease nipple is also provided to lubricated the bearings.



TECHNICAL SPECIFICATIONS

Wheel Diameter (A)	Wheel Width (B)	Overall Height (C)	Swivel Plate Size (D X E)	Swivel Hole Center (F X G)	Fixed Plate Size (D X E)	Fixed Hole Center (F X G)	Offset (H)	Plate Thickness	Wheel Block Thickness	Load Capacity
100	50	169	155x110	120x60	145x100	120x60	52	6	5	200-300
150	50	220	155x110	120x60	145x100	120x60	55	6	5	300-400
200	50	270	155x110	120x60	145x100	120x60	60	6	5	400-500

A. All dimensions in mm. B. The load capacity is for smooth surface of a maximum speed of 3 kmph.

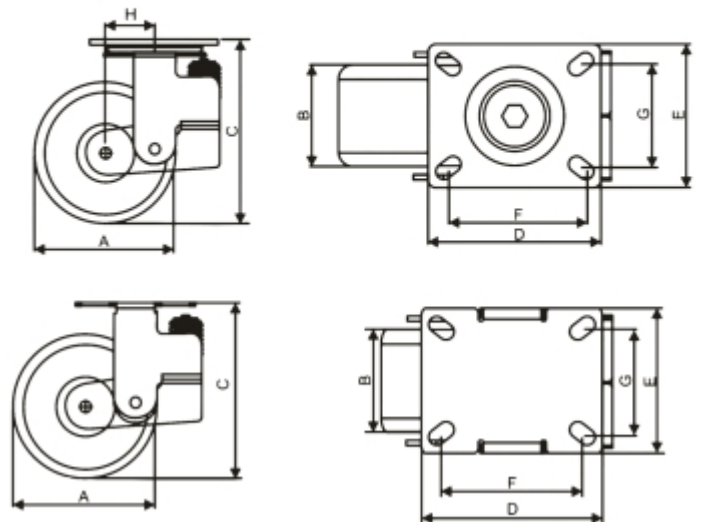
C. Design & Specification subject to change without prior notice.





C-100 SP Series

Medium duty powder coated pressed steel castor of double ball race swivel head secured with thick thread hex pin & covered with nylon dust seal. Two sealed ball bearings are used in the wheel in order to give forceless free movement to castor. Heavy duty Polyurethane spring is provided at the back side which protects the castor from heavy jerk load & thus not causing any damages of components under dynamic conditions.



TECHNICAL SPECIFICATIONS

Wheel Diameter (A)	Wheel Width (B)	Overall Height (C)	Swivel Plate Size (D X E)	Swivel Hole Center (F X G)	Fixed Plate Size (D X E)	Fixed Hole Center (F X G)	Offset (H)	Plate Thickness	Wheel Block Thickness	Load Capacity
100	50	185	155x110	128x74	160x112	128x74	45	6	6	200-400
150	50	210	155x110	128x74	160x112	128x74	52	6	6	300-400
200	50	260	155x110	128x74	160x112	128x74	78	6	6	400-500

A. All dimensions in mm. B. The load capacity is for smooth surface of a maximum speed of 3 kmph.
C. Design & Specification subject to change without prior notice.



APEX
CASTOR & TROLLEY WHEEL



WNPUR

Tread Material	Polyurethane
Core Material	Nylon 6 (Polymide)
Bearings	Sealed Precision Ball Bearing
Temperature	-20°C and +80°C
Tread Hardness	95°±3° Shore D
Tread Option	Anti-Static / Conductive
Highlights	Noiseless Running, Low Rolling Resistance, Curved Tread, Abrasion Resistant, Non-Marking, Floor-Preserving, Non-Corrosive
Colour	Orange
Usage	Epoxy Coated & Smooth Cement Concrete Floors



WCIPUTD

Tread Material	Polyurethane
Core Material	Cast Iron
Bearings	Sealed Precision Ball Bearing
Temperature	-20°C and +80°C
Tread Hardness	70°±3° Shore D
Tread Option	Anti-Static / Conductive
Highlights	Noiseless Running, Low Rolling Resistance, Curved Tread, Abrasion Resistant, Non-Marking, Floor-Preserving, Non-Corrosive
Colour	Orange
Usage	Epoxy Coated & Smooth Cement Concrete Floors



WCIPUHA

Tread Material	Polyurethane
Core Material	Cast Iron
Bearings	Sealed Precision Ball Bearing
Temperature	-20°C and +85°C
Tread Hardness	93°±3° Shore A
Tread Option	Anti-Static / Conductive
Highlights	Noiseless Running, Low Rolling Resistance, Abrasion Resistant, Non-Marking, Floor-Preserving
Colour	Orange
Usage	Epoxy Coated & Smooth Cement Concrete Floors



WCIN

Tread Material	Nylon 6 (Polymide)
Core Material	Cast Iron
Bearings	Sealed Precision Ball Bearing
Temperature	-40°C and +80°C
Tread Hardness	70°±5° Shore D
Tread Option	Anti-Static / Conductive
Highlights	Extreme High Load, Low Rolling Resistance, Non-Marking Very Abrasion-Resistant, Impact-Resistant
Colour	White
Usage	Smooth Cement Concrete Floors, Internal Tar Roads of Plant



WNH

Material	Nylon 6 (Polymide)
Internal Core	Metal Bush
Bearings	Sealed Precision Ball Bearing
Temperature	-40°C and +80°C
Tread Hardness	70°±5° Shore D
Tread Option	Anti-Static / Conductive
Highlights	Extreme High Load, Low Rolling Resistance, Non-Marking Very Abrasion-Resistant, Impact-Resistant
Colour	White
Usage	Smooth Cement Concrete Floors, Internal Tar Roads of Plant



WCIR

Material	Cast Iron
Bearings	Sealed Precision Ball Bearing
Temperature	-100°C and +600°C
Tread Hardness	180±22 HB
Highlights	Extreme High Load, Low Rolling Resistance, Non-Marking Very High Abrasion-Resistant, Impact-Resistant
Colour	D Grey
Usage	Ideal for Rough Surface and High Temperature

APEX

MATERIAL HANDLING EQUIPMENTS



Authorised Dealer



Manufactured by :
Bharat Industrial Corporation Private Limited
www.apex.ooo